

# TD-M1-B



Fingerprint



IC card



PIN Code



Dynamic Password



Low Voltage Alarm



Aluminum Material



Mechanical Key



Tuya APP



Sliding Door Compatible



Various Mortises Adaptation

## Product Features

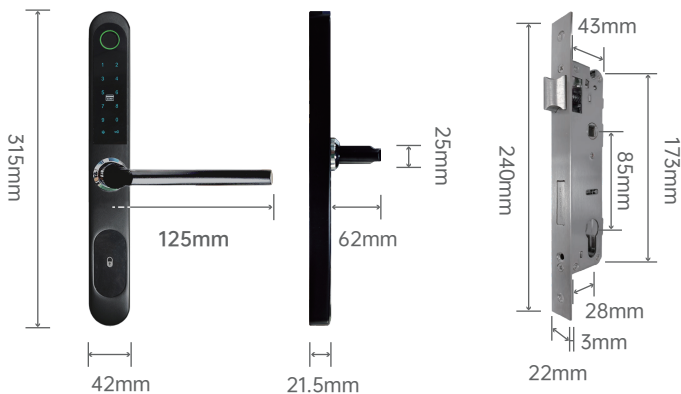
- Multiple Unlock Methods: Supports Fingerprint, PIN Code, Dynamic Password, Tuya APP, IC Card, and Mechanical Key for versatile access control.
- Sliding Door Support: Compatible with sliding doors, adaptation to various mortises, offering flexibility in installation.
- High-Security Fingerprint Sensor: Utilizes a semiconductor fingerprint sensor with a False Recognition Rate of < 0.001% and False Rejection Rate of < 1.0%.
- Large Capacity: Can store up to 100 fingerprints, 100 passwords, and 50 IC Cards, supporting MIFARE M1 card type.
- APP Integration: Remote control via the Tuya App using Bluetooth 4.2 BLE connection.
- Comprehensive Alarm System: Equipped with various door lock alarms and supports background push notifications for added security.

## Product Specifications

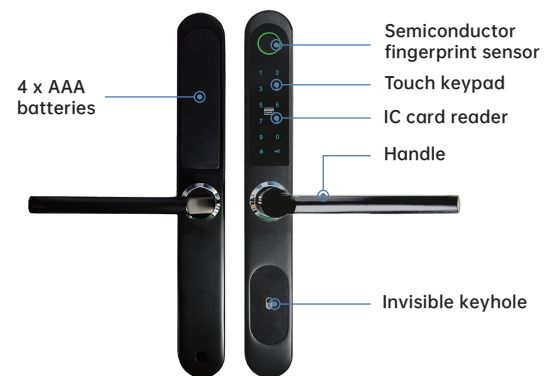
<b>Unlock Method</b>	Fingerprint, PIN Code, Dynamic Password, Tuya APP, IC Card, Mechanical Key
<b>Sliding Door</b>	Support
<b>Material</b>	Aluminum
<b>Lock Dimension</b>	42x315x21.5mm
<b>Supported Mortise</b>	2585/2885/3085/3585/4085/4585/5085/6085, 2885/3585 multi-point, 2085/2885/3585 double-hook
<b>Fingerprint Sensor Type</b>	Semiconductor fingerprint sensor
<b>Fingerprint Capacity</b>	100
<b>Password Capacity</b>	100
<b>IC Card Capacity</b>	50
<b>Supported IC Card Type</b>	MIFARE M1 card
<b>False Recognition Rate</b>	< 0.001%
<b>False Rejection Rate</b>	< 1.0%
<b>Supported Phone Systems</b>	Android 5.0 or IOS7.0 and above
<b>Tuya APP Connection</b>	Bluetooth

Bluetooth Standard	Bluetooth 4.2 BLE
Connection Mode	Long connection (keep Bluetooth online)
Bluetooth Gateway	Support
Door Opening Record	Support
Alarm	All kinds of door lock alarm, support background push
Battery	4pcs 1.5V AAA alkaline dry batteries
Low Alarm Voltage	4.6V
Voltage Range	4.5V ~ 9V
Standby Current	50 $\mu$ A
Working Current	$\leq$ 200mA
Unlocking Time	$\leq$ 1.5s
Operating Temperature Range	-20 ~ 60 $^{\circ}$ C
Relative Humidity	40% ~ 90% (no gel cream)
Storage Environment	-40 ~ 85 $^{\circ}$ C
ESD(Contact Discharge)	8KV (with lock case)
ESD(Air Discharge)	15KV (with lock case)
Motor Drive	The output voltage is the supply voltage, and the current is $\leq$ 0.6A
Keypad Type	Capacitive touch keypad

## Product Size



## Product Components



## Packing List

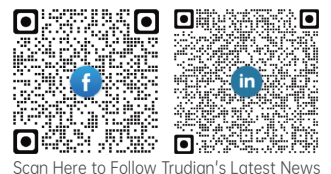


Website: <http://www.trudian.com/en>

Address: Farbell Technology Park, Yixian Road, Nanlang, Cuiheng New District, Zhongshan City, Guangdong Province, China. Zip Code: 528451

Phone: +86-0760-23689666

Email: [sales@trudian.net](mailto:sales@trudian.net)



Scan Here to Follow Trudian's Latest News