

# TD-10MWT

## Access Control Terminal



Card unlock



Exit button unlock



Remote unlock



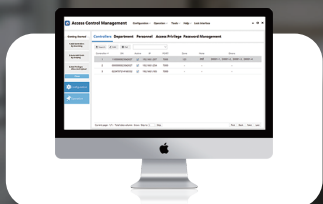
Trudian security management center platform



Dual working modes



Pure aluminum frame, tempered glass lens



## Product Features

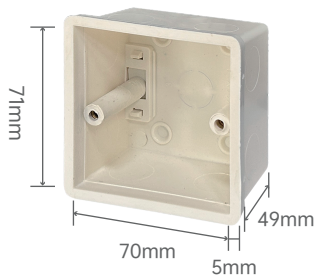
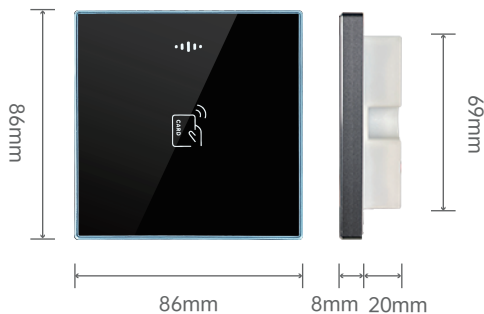
- Modes: TCP/IP networking and standalone.
- Unlocking: Card, management center, exit button.
- Size: Compact design at 86x86x28mm.
- Power: DC12V, low standby and working current.
- Capacity: 1000 cards, 1000 unlock records.
- Materials: Sturdy aluminum frame, tempered glass lens.

## Product Specifications

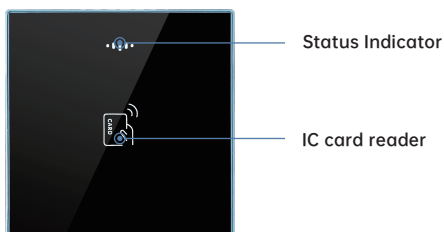
Working Modes	TCP/IP networking, standalone
Unlocking Methods	card, management center, exit button
Appearance Size	86x86x28mm
Bare Size	86x86x8mm
Working Voltage	DC12V
Standby Current	110mA±20mA
Working Current	150mA±50mA
OS	Embedded system
CPU	ARM Cortex M3
Memory	20K
Flash	128K+8M
Reading Distance	0~4cm
Card Capacity	1000
Unlock Record Capacity	1000
Working Temperature	-40°C~70°C
Working Humidity	10%~93%

Appearance Material	pure aluminum frame, tempered glass lens
Installation Method	embedded with 86-style electrical box, the inner depth of 86-style electrical box is required to be $\geq 50\text{MM}$
Power Supply Interface	12V power interface
Network Interface	1 set of RJ45 10M/100M auto-sensing Ethernet port
485 Interface	1 set of 485 bus communication interface
Exit Button Interface	1 set of exit button signal detection input interface
Door Magnetic Sensor Interface	1 set of door magnetic sensor signal detection input interface
Unlock Interface	1 set of common port, NO port and NC port

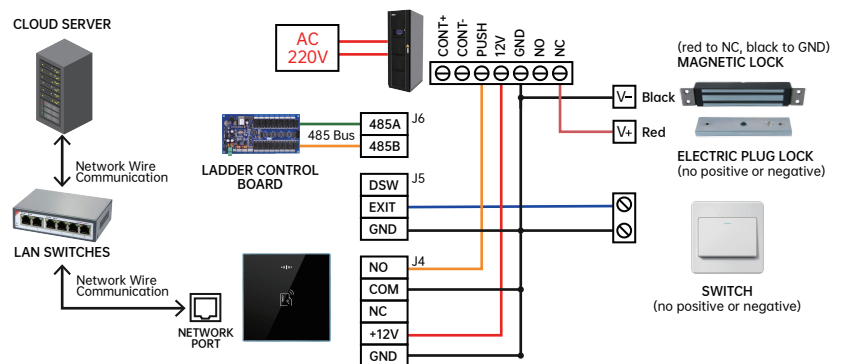
## Product Size



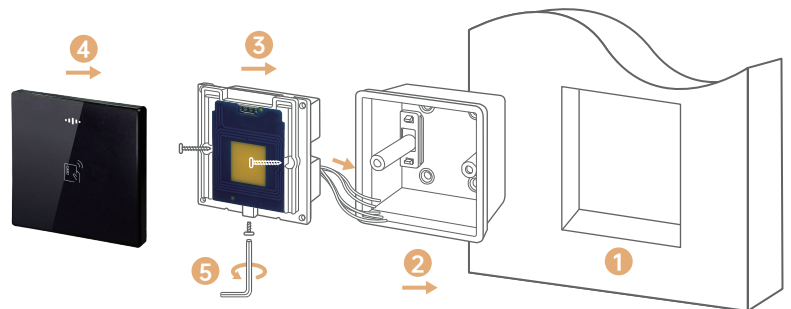
## Product Components



## Wiring Diagram



## Installation Schematic



## Packing List

