



1. Product functions and technical parameters:

This device is an standalone access control (all-in-one) device that uses contactless proximity cards and passwords for access management. It is easy to use and has reliable performance.

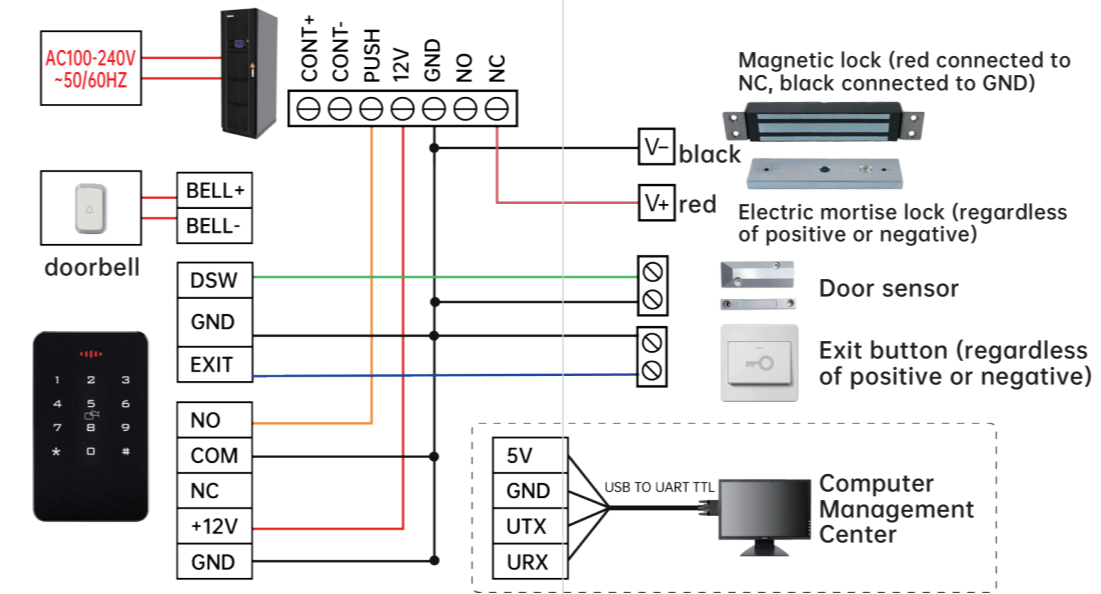
The main technical parameters of the access control are as follows:

Working Voltage	DC12V±10%	User capacity	1000
Working current	60MA~300MA	Card reading type	IC card
Working mode	access control/Wiegand reader	Card reading distance	0~4CM
Operating temperature	-20°C~70°C	Public password	1
Relative humidity	20%~93%	Unlock method	card, password, card + password
dimension	118*72*16MM	Installation method	wall-mounted installation

2. External interface description:

Interface name	Function Description	Interface name	Function Description
12V	DC12V power input	+5V	DC5V input
GND	GND	UTX	UART serial port transmitter
WG34	Wiegand 26/34 format switching interface, Wiegand 26(Not connected), connected to GND for Wiegand 34	URX	UART serial port receiver
LED/BZ	Wiegand reader and controller status signal synchronization interface	DSW	Door magnetic signal detection interface
WG_D0	Wiegand signal Data0	EXIT	Exit button trigger interface
WG_D1	Wiegand signal Data1	NC	Relay normally closed terminal
BELL+	Connect the doorbell positive pole	COM	Relay public terminal
BELL-	Connect the doorbell negative pole	NO	Relay normally open terminal

3. Installation and wiring instructions:



4. Access control machine device configuration:

4.1. Programming configuration operation instructions: (Programming password factory setting is: 88888888)

Programming name	Button programming operation	Remark
Modify programming password	*# Programming password # 0 8-digit new programming password #	If you forget the programming password, you can follow steps 4.3 to restore to the factory default value (88888888)
Add user card	*# Programming password # 1 Swipe card #	If you need to add multiple user cards at one time, just swipe the cards continuously
Add (modify) public door opening password	*# Programming password # 2 6 digit new password #	There is only one set of public door opening passwords, and the effective length of the password is 6 digits.
Delete all users	*# Programming password # 3 #	Delete all card and password users, but do not delete public door opening passwords
Delete user (read card)	*# Programming password # 4 Swipe card #	If you need to delete multiple user cards at once, just swipe the cards continuously

Extended operations	Operation	Remark
Add card by user number	*# Programming password # 5 4-digit user number swipe card #	The user number must be 4 digits and cannot be repeated. When repeated, it will beep 3 times and a new user number needs to be re-entered. The new password is valid with a length of 4 to 6 digits. When adding users continuously, just repeat the previous operation.
Add door opening password according to user number	*# Programming password # 6 4-digit user number new password #	
Delete user (enter number)	*# Programming password # 7 4-digit user number #	When entering the user number, it must be 4 digits, such as 0001, 0050, etc.
Set door opening mode	*# Programming password # 8 X #	"X" is a number: 0 (Wiegand output), 1 (card or password to open the door), 2 (card + password to open the door)
Set relay unlocking time	*# Programming password # 9 X #	"X" is a number, and the unlocking time can be configured according to the corresponding number in Title 4.5. Factory default is 2 seconds unlocking time

4.2. Programming operation status prompt (take the programming operation of adding user card as an example)

step	Sound and light prompts
*#	The green light is always on and there is a short beep.
Programming password #	If the password is normal, the green light flashes slowly and beeps once; if the password is incorrect, the beeps are three short beeps and the red light flashes three times quickly.
1 swipe card	The green light flashes quickly; a newly added card will beep once, and a card that has been added will beep three times.
#	If the input is correct, there will be one short beep; if the input is incorrect, there will be three short beeps; at the same time, exit the add-in card programming, and the green light will flash slowly.

4.3. Initialize programming password (88888888) and add management card

Step 1: Power off, short-circuit the EXIT interface and GND, power on again, the red light will flash quickly after a short beep;

Step 2: Swipe two blank cards in succession, the first one is "Add Card" and the second one is "Delete Card"; (If you do not need to manage cards, this step can be ignored)

Step 3: Power off, disconnect the EXIT interface and GND short circuit, then power on again, and the programming password initialization is completed.

4.4. User number description

The user number consists of 4 digits, ranging from 0001 to 1000. Users added through command "1" do not occupy user numbers. After executing command "3" to delete all users, all user numbers are also cleared.

4.5. Relay unlocking time configuration instructions

The programming commands are as follows:

step	Sound and light prompts
*#	The green light is always on and there is a short beep.
Programming password #	If the password is normal, the green light flashes slowly and beeps once; if the password is incorrect, the beeps are three short beeps and the red light flashes three times quickly.
9	The red light flashes quickly and beeps briefly;
X	The red light flashes quickly, and there is one short beep; if there is an input error, there are three short beeps.
#	There will be a short beep; at the same time, you will exit programming and the green light will flash slowly.

The "X" number corresponds to the unlocking schedule:

X	0	1	2	3	4	5	6
Unlock time	0.2 Sec	1 Sec	2 Sec	5 Sec	10 Sec	30 Sec	50 Sec

5. Other extended functions:

5.1. Modify personal door opening password

After the user successfully opens the door by swiping their card (or personal password), then press and hold the "#" key (about 3 seconds) until the green light flashes quickly, then enter the **new password #** and enter the **new password #** again, and the buzzer will beep for a long time. , the personal door opening password under the same user number corresponding to the card was successfully modified.

5.2. "Card+Password" door opening function

If you need to implement the "card + password" door opening function for access control, please follow the steps below:

Step 1: Use the user card issued with a user number to open the door, and then configure the personal user password under this number according to the method in 4.1. Or use the same user number to execute ***# Programming Password # 5 4-digit User Number Swipe Card #** and ***# Programming Password # 6 4-digit User Number New Password #** to add the user's card and personal door opening password;

Step 2: Execute ***# programming password # 82 #** to set the access control to the "card + password" door opening mode;

"Step 3: Swipe the user card, the green light flashes quickly, then enter the personal door opening password, and then press #, the buzzer will beep once, the green light will light up once, and the door is opened successfully. You can swipe the card first and then enter the password, or enter the password first and then swipe the card."

5.3. Door lock normally open function

After swiping the card or password to open the door normally, immediately press the "5 8" digital button to enable the door lock normally open function; when the door lock is normally open, as long as the door is opened again by swiping the card, password or exit button, the door lock normal function will be automatically exited. Turn on the function.

5.4. How to use the management card

Add user card: In standby mode, swipe "Add Card" once, then swipe the user card to be added (if you need to add multiple user cards, swipe the user card continuously), and then swipe "Add Card" again.

Delete user card: In standby mode, swipe "Delete Card" once, then swipe the user card to be deleted (if you need to delete multiple user cards, swipe the user card continuously), and then swipe "Delete Card" again.

6. Daily use and status tips:

6.1. Daily use

Swipe the card to open the door: Use the card to quickly approach the access control card swiping area.

Password to open the door: Enter the password and press "#".

Card + password to open the door: swipe the card first, then enter the password, and then press "#".

6.2. Status prompt

Standby state: The red light is always on.

Unlock status: The buzzer beeps once and the green light flashes once.

Swipe a valid card (or valid password): the buzzer will beep once and the green light will flash once.

Swipe an invalid card (or invalid password): the buzzer will beep three times and the red light will flash three times.

