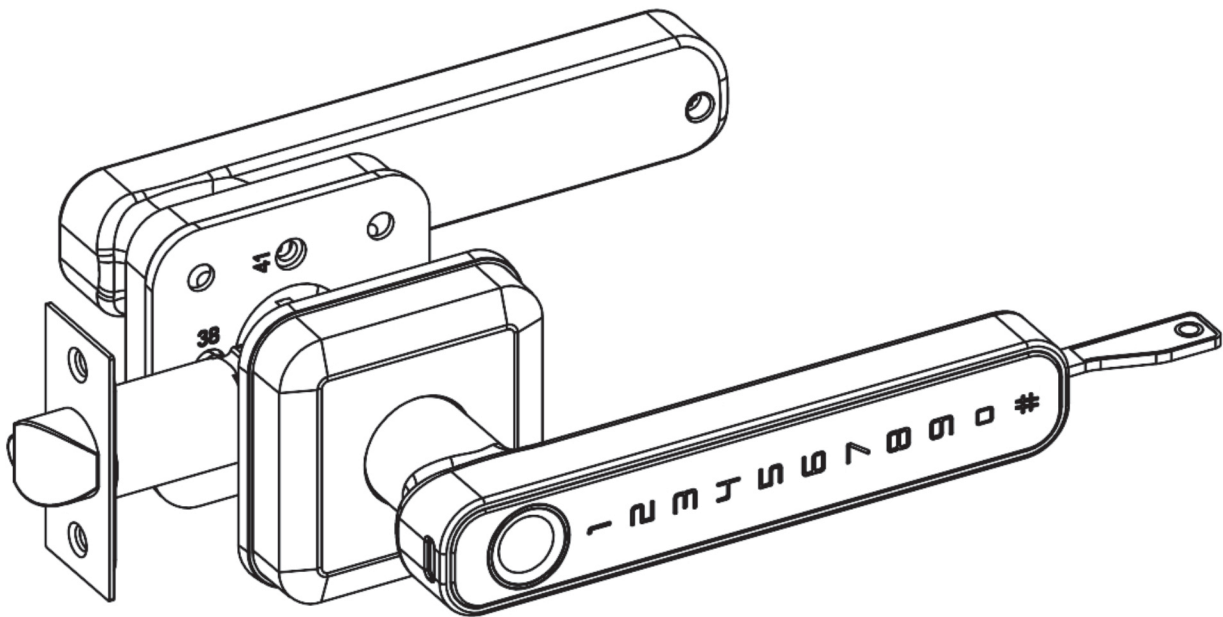




TD-S1-B Tuya Smart Fingerprint Lock User Manual



Brief Introduction



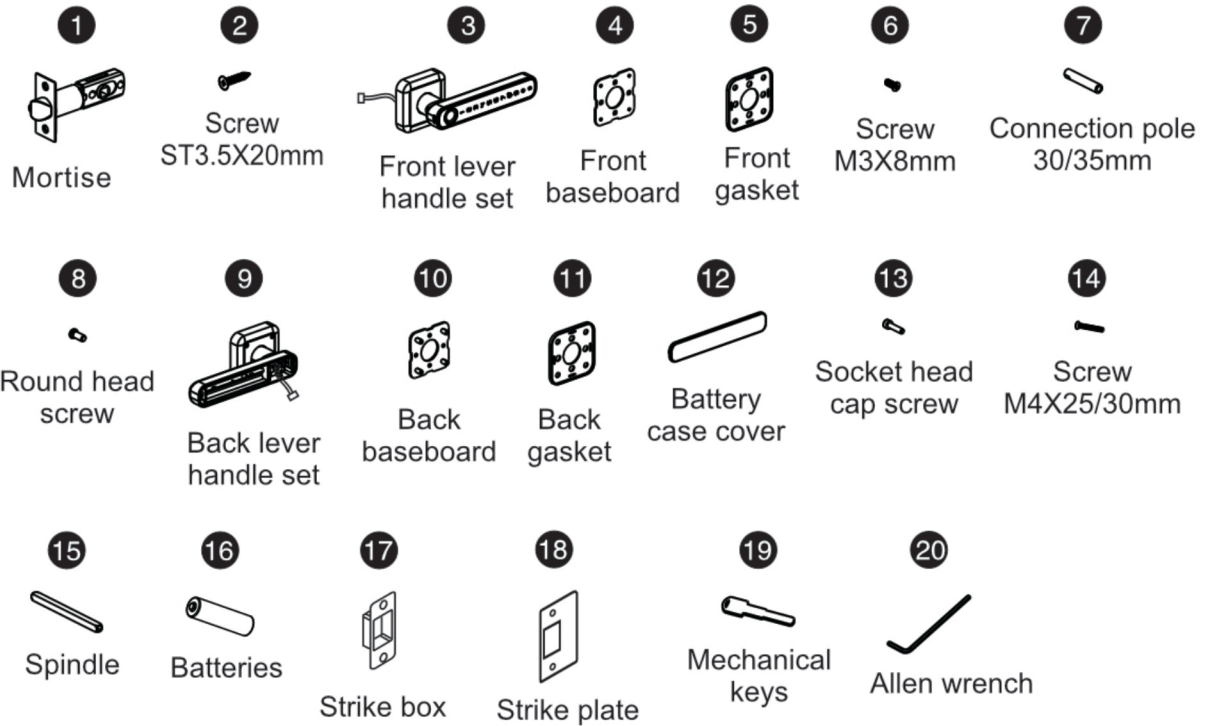
Brief Introduction:

- Touch the area between 0 and # to activate the keyboard.
- There are mechanical keys come with this door lock. Please keep the mechanical keys well, in case of any emergency access.
- The lock is powered by 4 AAA batteries. It is NOT suggested to use non-alkaline battery or rechargeable batteries.
- This lock is NOT suggested to install outside. It is NOT waterproof.
- The lock will be locked automatically after 10 seconds without any operations.
- Please keep the fingerprint clear when using the fingerprint to unlock.

Please read the user manual carefully before operations. All the updates of the APP are subject to change without notice.

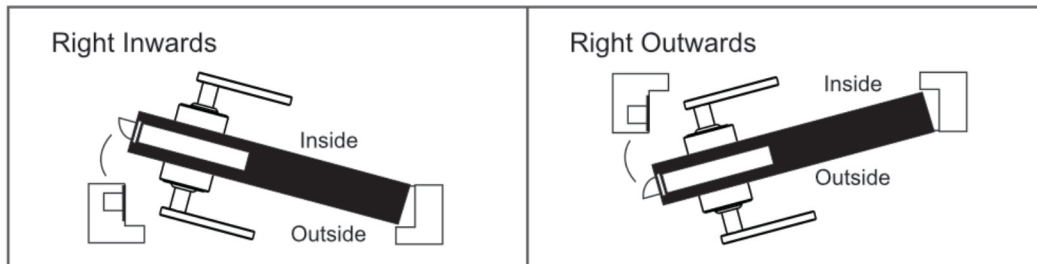
Lock Parts and Tools

Name of Items

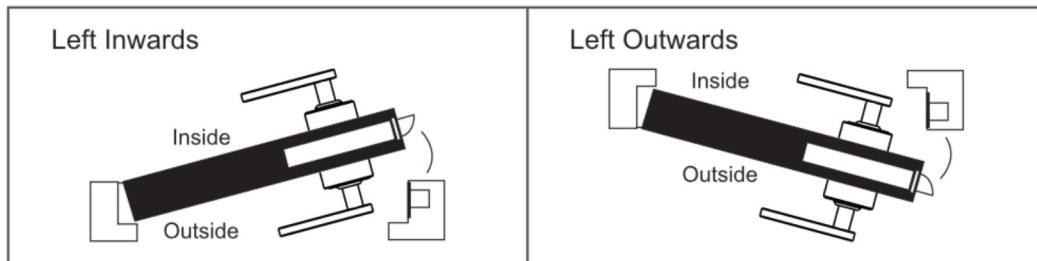


Choose the unlocking direction (Follow the pictures below to confirm the unlocking direction)

① Right Direction



② Left Direction



Selection of Accessories

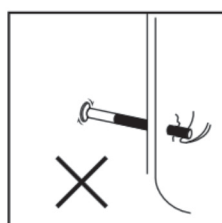
Available door thickness 35~50mm, need customized out of this range.

Please choose the correct accessories to install after confirm the door thickness.

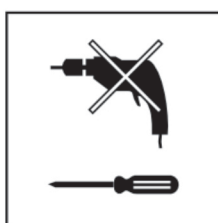
No. and Name of accessory	Size and Info(mm)	Door thickness and quantity	
		35-40(mm)	40-50(mm)
14 Screw M4X25/30mm		2	
			2
7 Connection pole 30/35mm		2	
			2

Notes of Installation

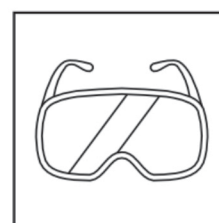
① Do not install the screw too hard, in case of any damage of the lock and the door.



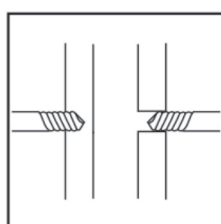
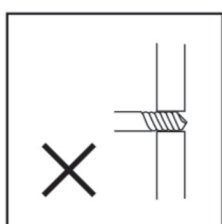
② Choose the correct and good quality tools.



③ Wear the protection glass during drilling the door holes.



④ Drill the door holes from both sides, in case of any damage of the door.



Installation

Follow the steps below to install the lock.

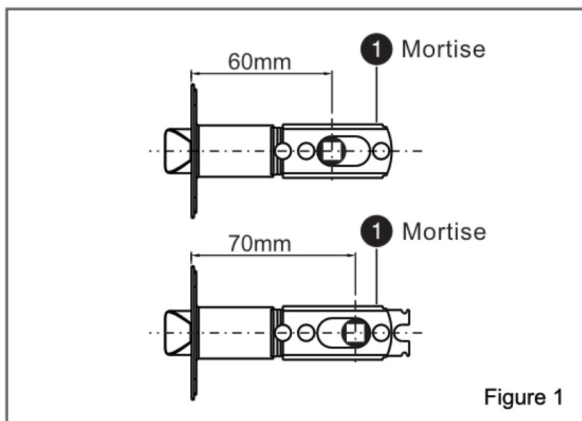


Figure 1

Figure 1: adjust the backset (60/70mm) of the latch according to the request. Make sure the square hole is moved to the edge of the sliding hole. Keep the square hole is aclinic.

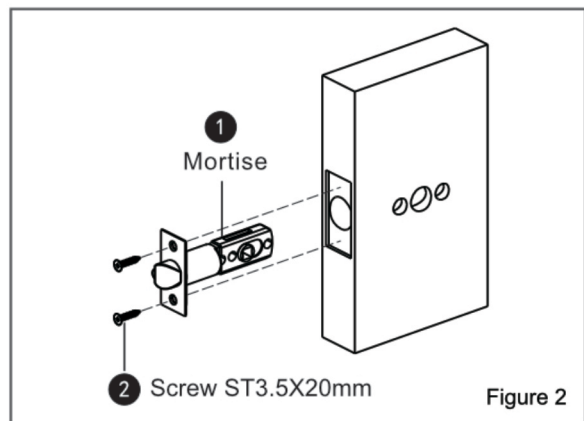


Figure 2

Figure 2: install the latch, and fasten it with 2 screws.

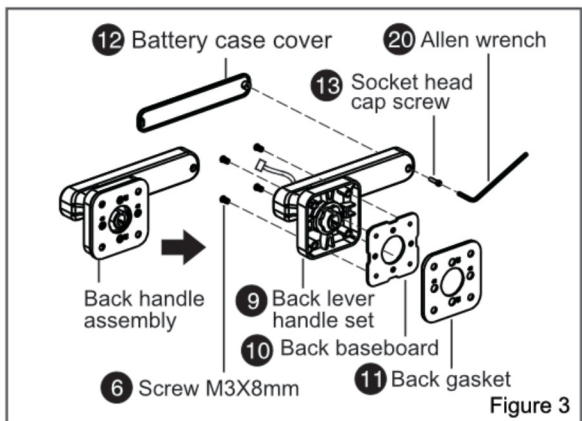


Figure 3

Figure 3:

- Loose those 4 screws on the back rose, and take out the back baseboard and gasket.
- Loose the socket head cap screw to take out the battery case cover.

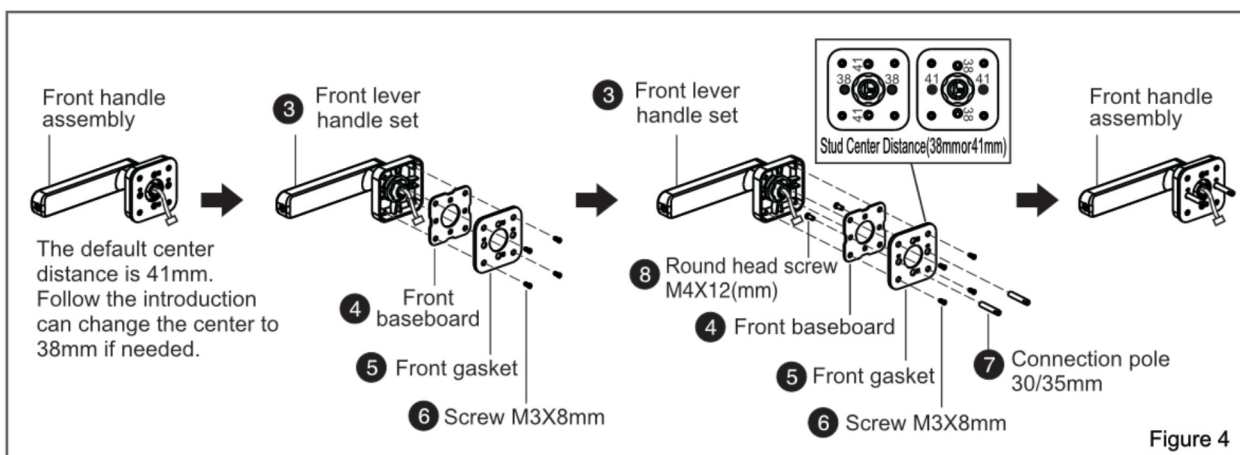


Figure 4

Figure 4:

- Loose those 4 screws on the front rose to take out the front baseboard and gasket. (The default center distance is 41mm, skip this step if match)
- confirm the center distance (38mm or 41mm). Rotate the baseboard and gasket 90 degree if it is needed.
- Use 2 round head screws to go through the baseboard, and fasten them with connection poles.
- Fasten the baseboard and gasket on the front rose by 4 screws.

Installation

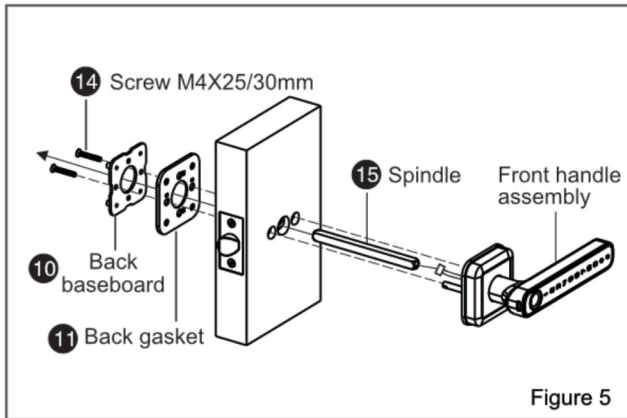


Figure 5

Figure 5:

- Install the spindle into the square hole, the cable go through the spindle to the back side of the lever handle set
 - Fasten the back baseboard and gasket on the door with 2 screws.
- ▲ The center distance has to be same for both front and back roses

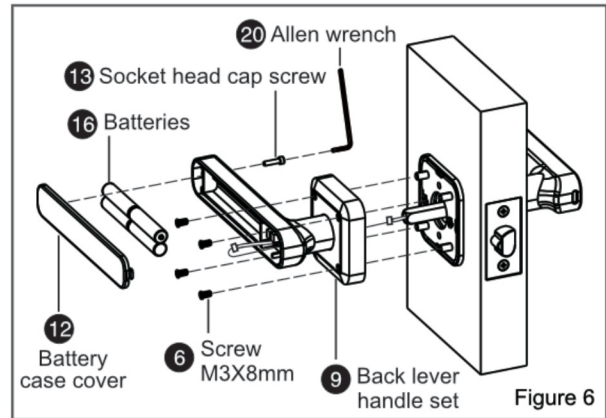


Figure 6

Figure 6:

- Connect the cable to the back handle, and put the rest of cable away.
- Fasten the back handle set with 4 M3X8 screws, and check the installation.
- Install the batteries, and replace the cover and fasten it.

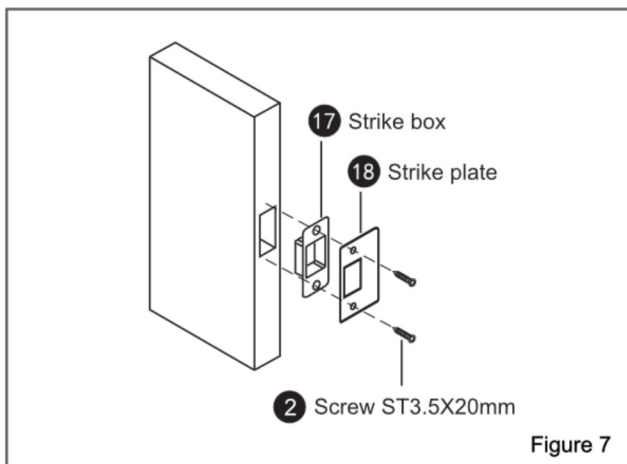


Figure 7

Figure 7:

- Install the strike box, strike plate on the door frame with 2 crews.

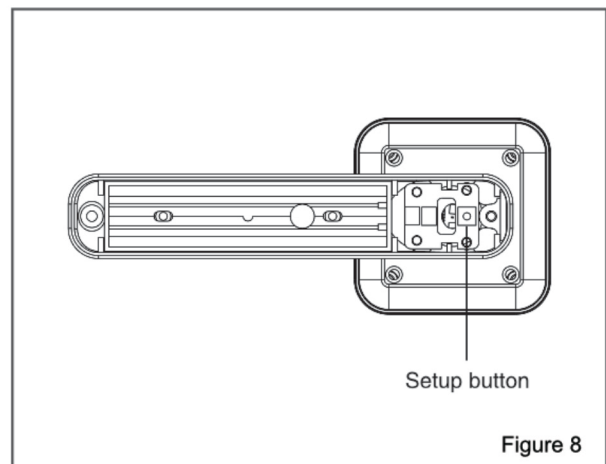


Figure 8

Figure 8:

- Restore the lock: Press the reset key for 5 seconds and release it when hear the sound like "didi" to finish.

Test after Installation

- The roses are acclinic with the door
- The latch works smoothly
- The front handle set is fasten well on the door
- Both front and back handles work smoothly
- Press down the back handle can retract the latch

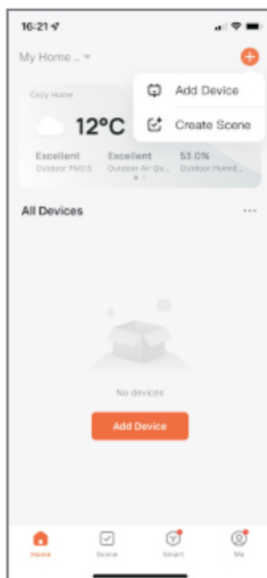
Configurar App Tuya

1. The Tuya app works with this lock. If the lock was professionally installed (or installed by someone other than the homeowner), make sure this step is performed by the homeowner.
2. Download the Tuya app by scanning the QR code or visiting the app store on your smartphone. The app is available on IOS and Android OS.
3. Create your account and follow the setup introductions to connect the lock in the app.



Please scan these two QR codes for the manual

Add Device – Lock (BLE)



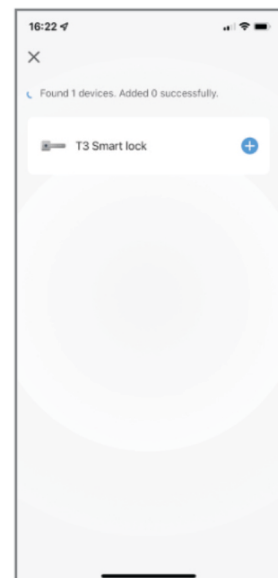
1. Click “+” button on the top right corner, and select “Add Device”.



2. Select “Security and Video Surveillance” – “Lock (BLE)”.

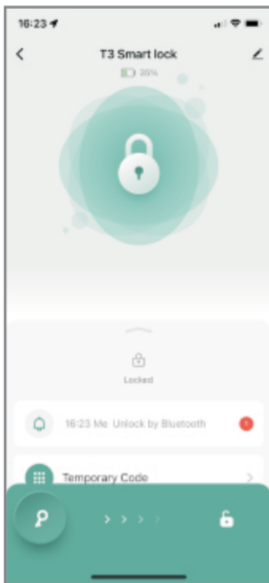


3. Log in the lock system and set the lock under pairing mode.

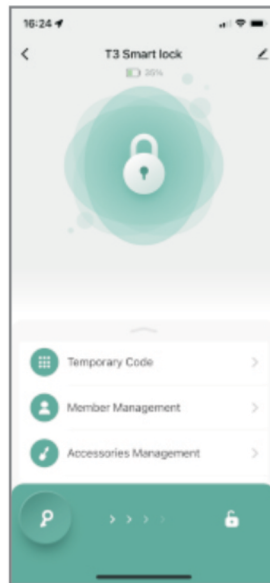


4. Input “8#” on the lock and let the app detect it. Then add the lock to the app and finish the registration.

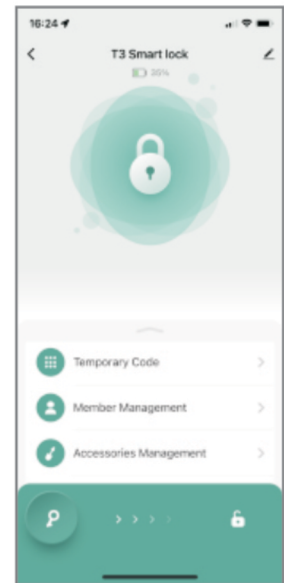
Unlock by App



1. The main interface and the functions of the App.

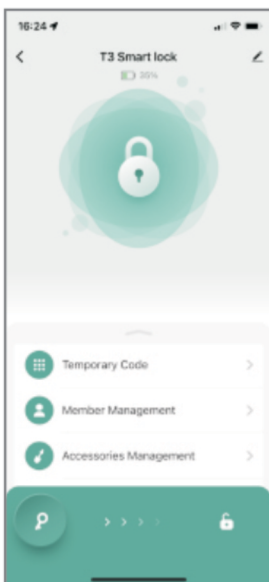


2. Slide to the right to unlock.

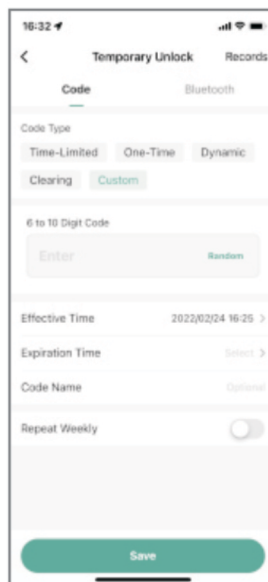


3. Slide to the left to lock.

Temporary Code



1. Click "Temporary Code".



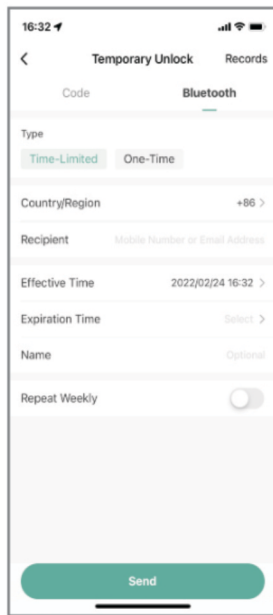
2. There are different types of code you can set according to your request, and the code digits can be set by yourself and by the app randomly.

The code can be set even the lock is not connected to the network.

However, you need to input the clear code to delete it.

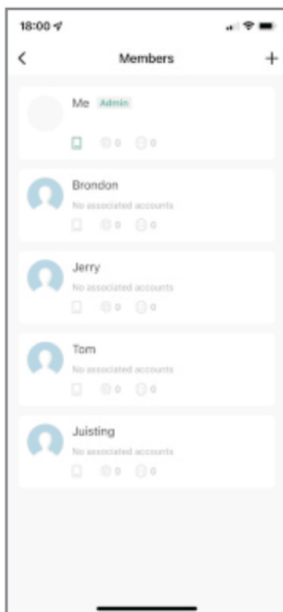
The code is not visible after set, please remember the code carefully.

Temporary Code

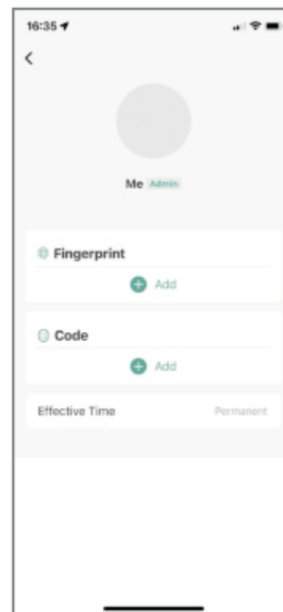


3. The app can generate the e-key to the receiver to unlock the lock. (The receiver has to install the app as well).
Input the information of the receiver, set up the time period and then send to the receiver.

User Management

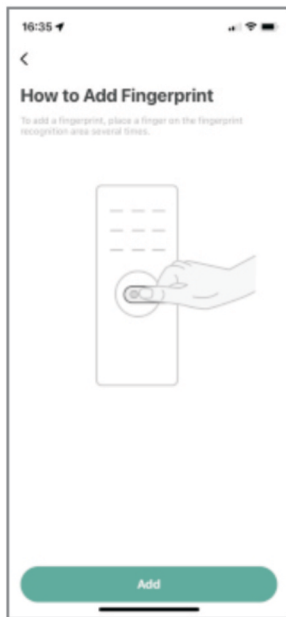


1. Add other users as the members and share the usage of all the devices.

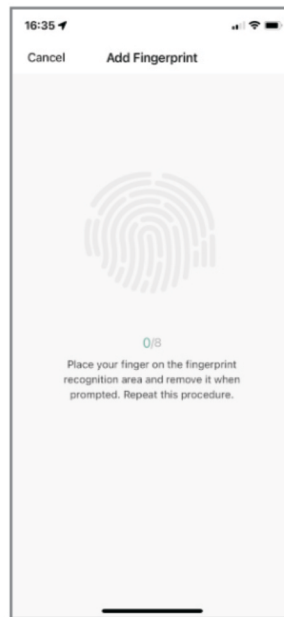


2. You can set the fingerprint, password, and other types of unlocking to the members.

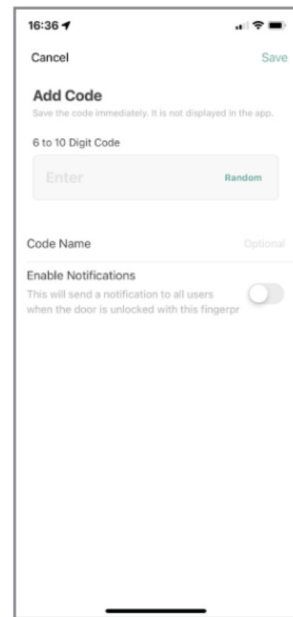
User Management



1. Fingerprint: click add and the app will send the request to the lock.

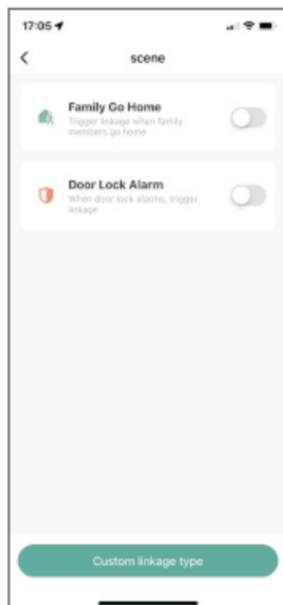


2. Follow the introduction and place the fingerprint on the sensor.

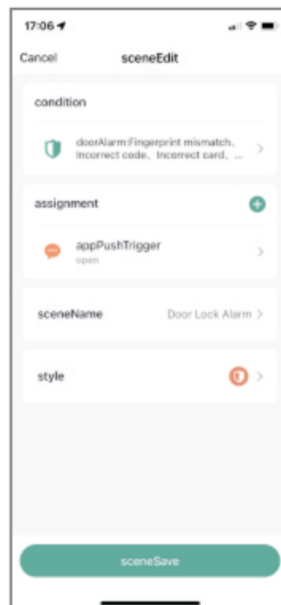


3. Password: click add to set the password.

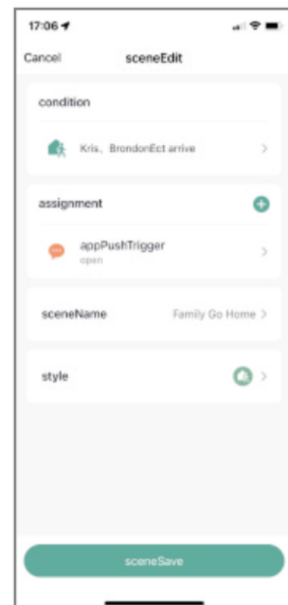
Smart Scenes



1. Click "Smart Scenes".

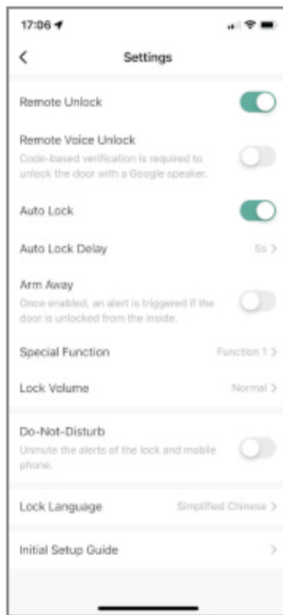


2. Set up the setting and then save it to turn on/off the scenes.

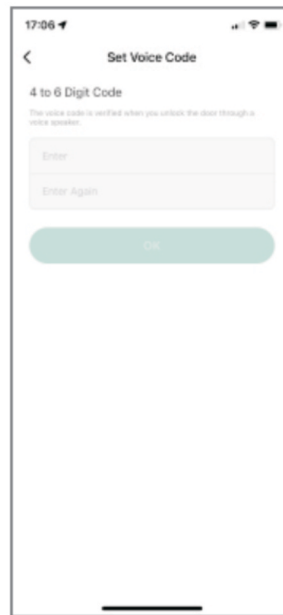


3. Set up the setting and then save it to turn on/off the scenes.

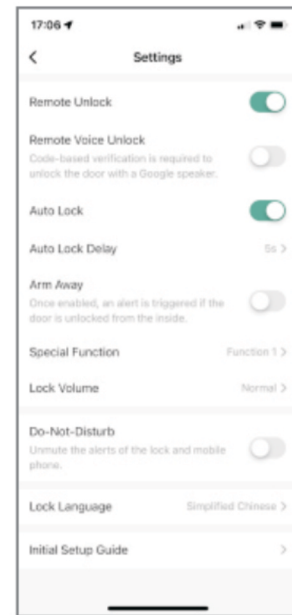
Setting



1. Select the setting to set up according to the request.

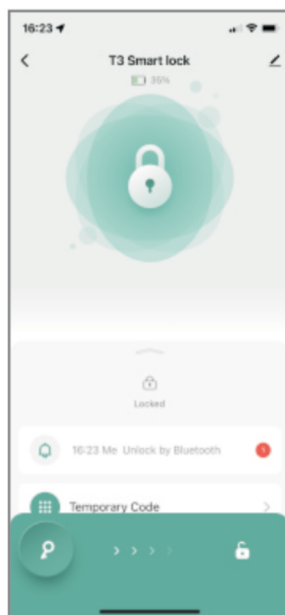


2. For voice unlocking, it is needed to set up the voice code first.

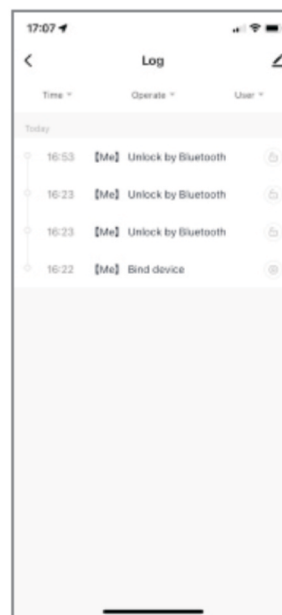


3. There are more functions for your choices.

Logs



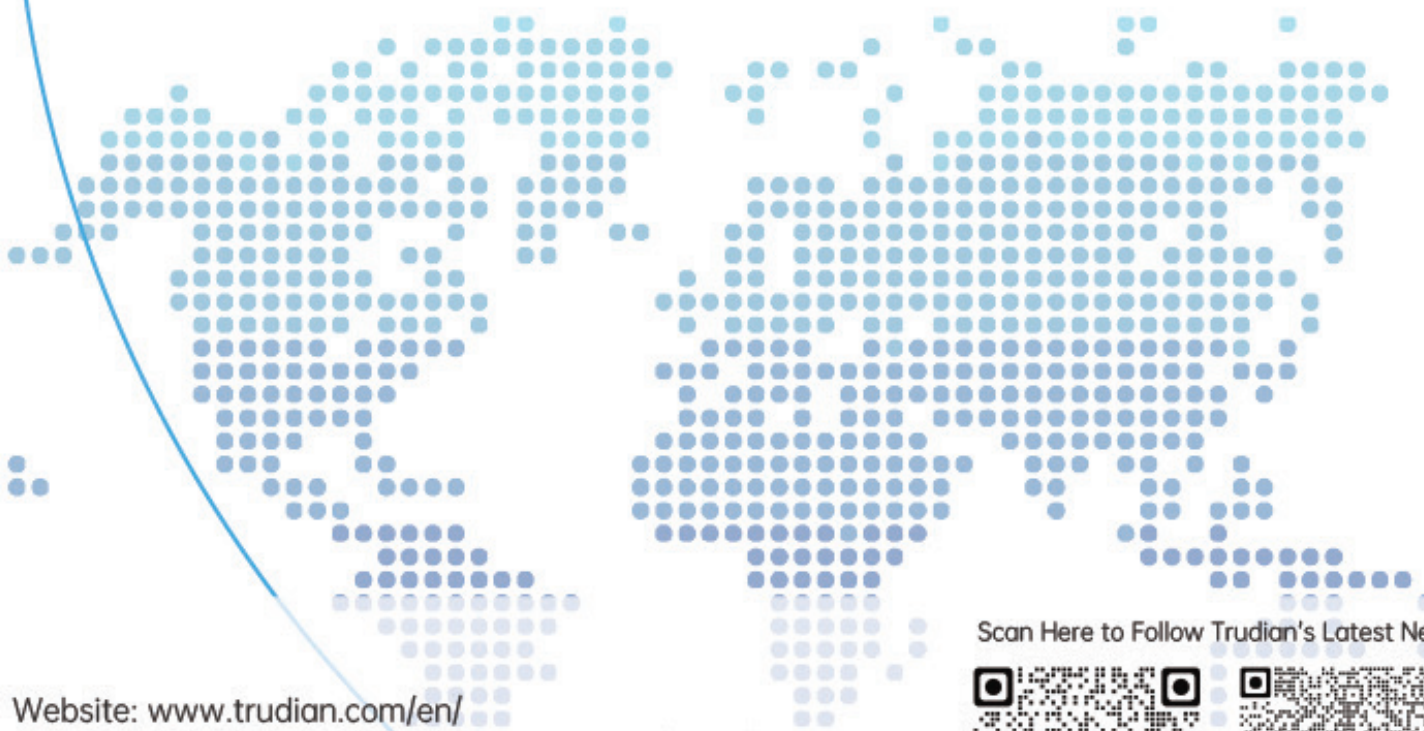
1. Click the "log" (on the top of temporary code) to check the records.



2. Logs: check the access records by time, operate, and users.

Technical Parameters

Technical Parameters			
	Items	Parameters	Memo
1	Static current	$\leq 50\mu\text{A}$	
2	Dynamic current	$\leq 200\text{mA}$	
3	Administrators number	1	
4	Fingerprint number	100	
5	Password	200 sets of custom and 100 sets of passwords, no restrictions on other dynamic passwords	
6	Fingerprint Sensor	Semiconductor	
7	Fingerprint contrast time	$\leq 0.6\text{Second}$	
8	Fingerprint identification Angle	360°	
9	False Rejection Rate	$\leq 0.1\%$	
10	False Recognition Rate	$\leq 0.0001\%$	
11	Reaction time	$\leq 0.1\text{ Second}$	
12	Power type	6VDC	
13	Emergency power	5VDC	
14	Working temperature	$-20^\circ\text{C}-70^\circ\text{C}$	
15	Working Relative Humidity	20%~90%RH	
16	Human voice	Voice	
17	Keyboard	Touch standard 11-bit keyboard	
18	Password Length	6-10 digits	
19	Phantom password	32 digits	
20	Low voltage alarm	$4.6\pm 0.2\text{V}$	
21	Unlock time	$\leq 1\text{Second}$	



Website: www.trudian.com/en/
Address: Farbell Technology Park, Yixian Road, Nanlang,
Cuiheng New District, Zhongshan City, Guangdong Province,
China. Zip Code: 528451
E-mail: sales@trudian.net

Scan Here to Follow Trudian's Latest News

