

# TD-K1-B



Suitable for family, hotel, apartment and office.



Fingerprint



IC Card



PIN Code



Dynamic Password



Low Voltage Alarm



Mechanical Key



Emergency Power Port



Aluminum Alloy Panel/Handle



Tuya APP

## Product Features

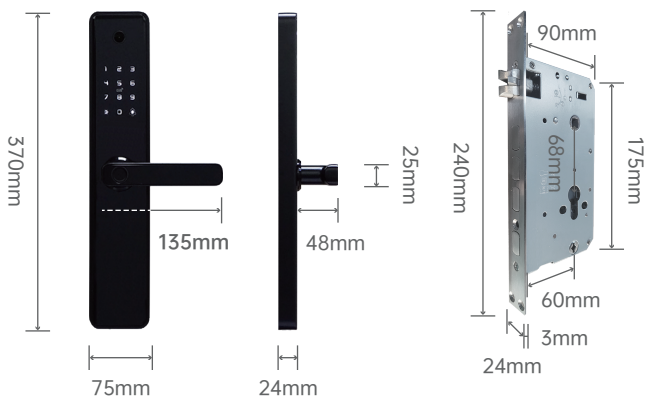
- Unlock Options: IC Card, Fingerprint, PIN, Dynamic Password, Key, and Remote Control.
- Design: Compact at 75x370x24mm, with an aluminum alloy panel and black nickel finish.
- Admins and Records: Supports 9 administrators and stores 300 card, fingerprint, and PIN records.
- Security: 32-digit phantom password, fast recognition, and low false recognition rates.
- Power: Uses 8 AA batteries with a low voltage alarm.
- Connectivity: Links to Tuya APP via Wi-Fi.
- Double-Locking: Enhanced security.

## Product Specifications

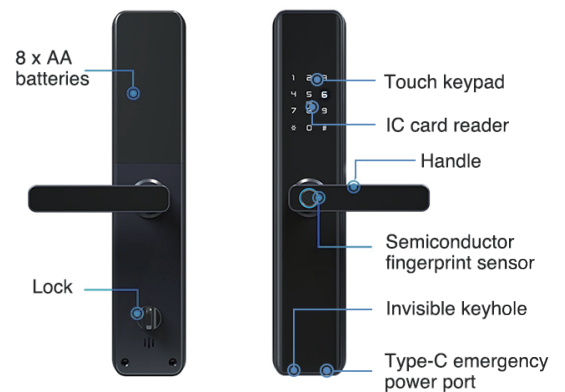
<b>Unlock Method</b>	IC Card, Fingerprint, PIN, Dynamic Password, Key, Remote control
<b>Lock Dimension</b>	75x370x24mm
<b>Material</b>	Aluminum alloy panel/handle, black oxidation treatment
<b>Administrators Capacity</b>	9
<b>Card &amp; Fingerprint &amp; PIN Capacity</b>	Total 300 records
<b>Password Length</b>	4~8 digits
<b>Phantom Password</b>	32 digits
<b>Fingerprint Sensor</b>	Semiconductor
<b>Fingerprint Contrast time</b>	≤ 0.6 Second
<b>Fingerprint Identification Angle</b>	360°
<b>False Rejection Rate</b>	≤ 0.1%
<b>False Recognition Rate</b>	≤ 0.0001%
<b>Reaction Time</b>	≤ 0.1 Second

<b>Battery</b>	8pcs AA alkaline batteries
<b>Power</b>	DC 6V
<b>Emergency Power</b>	DC 5V
<b>Static Current</b>	≤ 50uA
<b>Dynamic Current</b>	≤ 200mA
<b>Working Temperature</b>	-25°C~60°C
<b>Working Relative Humidity</b>	20%~90%RH
<b>Voice Assistant</b>	Yes
<b>Keypad</b>	Standard 12-bit touch keypad
<b>Low Voltage Alarm</b>	4.6+0.2V
<b>Unlock Time</b>	≤ 1 Second
<b>Tested Service Life</b>	300,000 times
<b>Connect to Tuya APP</b>	Wifi
<b>Double-Locking</b>	Yes

## Product Size



## Product Components



## Packing List

