

TD-K1 pro-B



Fingerprint



IC card



PIN Code



Dynamic Password



Low Voltage Alarm



Emergency Power Port



Mechanical Key



HD Camera



Screen Display



Tuya APP



Product Features

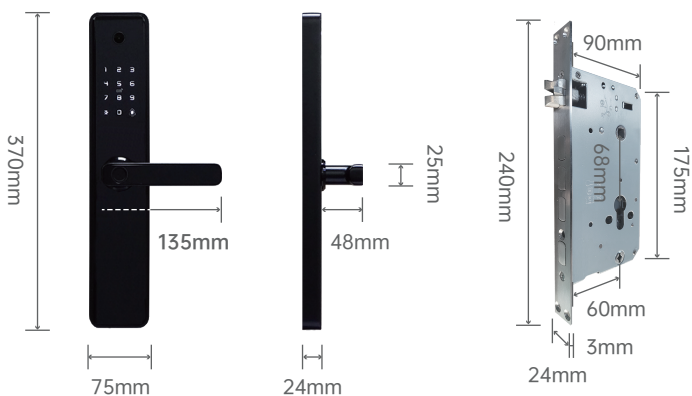
- Versatile Access: IC card, fingerprint, PIN, dynamic password, key, remote control.
- Solid Build: robust 75x370x24mm size, Aluminum alloy panel, black nickel finish.
- Advanced Security: semiconductor fingerprint sensor, lower false recognition rates. Features double-locking for added protection.
- User Management: handles 9 administrators, 200 Card/Fingerprint/PIN records.
- Working Power: Runs on 8 AA alkaline batteries with a backup emergency power port.
- User-Friendly: includes human voice, 12-bit touch keypad, Tuya/Trudian APP, low voltage alarm, quick ≤ 1 -second unlocking.
- Enhanced Safety: adopts HD camera and screen display to easily monitor outside.

Product Specifications

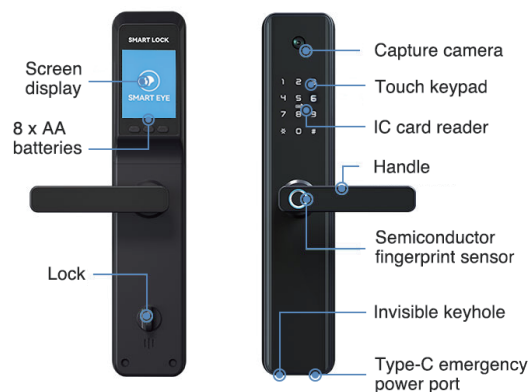
Unlock Method	IC Card, Fingerprint, PIN, Dynamic Password, Key, Remote control
Lock Dimension	75x370x24mm
Material	Aluminum alloy panel/handle, black oxidation treatment
HD Camera	Yes
Screen Display	Yes
Administrators Capacity	9
Card & Fingerprint & PIN Capacity	Total 200 records
Password Length	4~8 digits
Phantom Password	32 digits
Fingerprint Sensor	Semiconductor
Fingerprint Contrast time	≤ 0.6 Second
Fingerprint Identification Angle	360°
False Rejection Rate	$\leq 0.1\%$

False Recognition Rate	≅ 0.0001%
Reaction Time	≅ 0.1 Second
Battery	8pcs AA alkaline batteries
Power	DC 6V
Emergency Power	DC 5V
Static Current	≅ 50uA
Dynamic Current	≅ 200mA
Working Temperature	-25°C~60°C
Working Relative Humidity	20%~90%RH
Voice Assistant	Yes
Keypad	Standard 12-bit touch keypad
Low Voltage Alarm	4.6+0.2V
Unlock Time	≅ 1 Second
Tested Service Life	300,000 times
Connect to Tuya APP	Wifi
Double-Locking	Yes

Product Size



Product Components



Packing List

